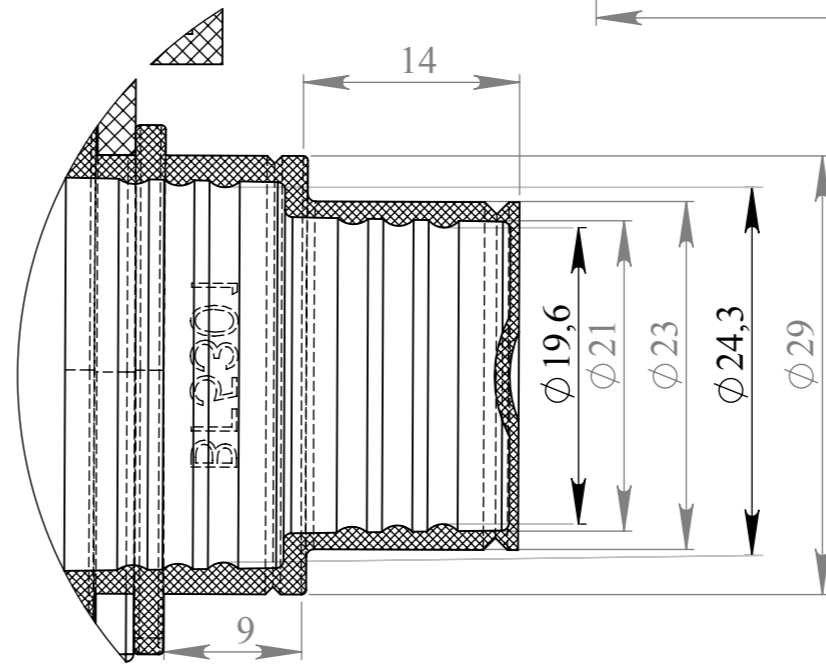
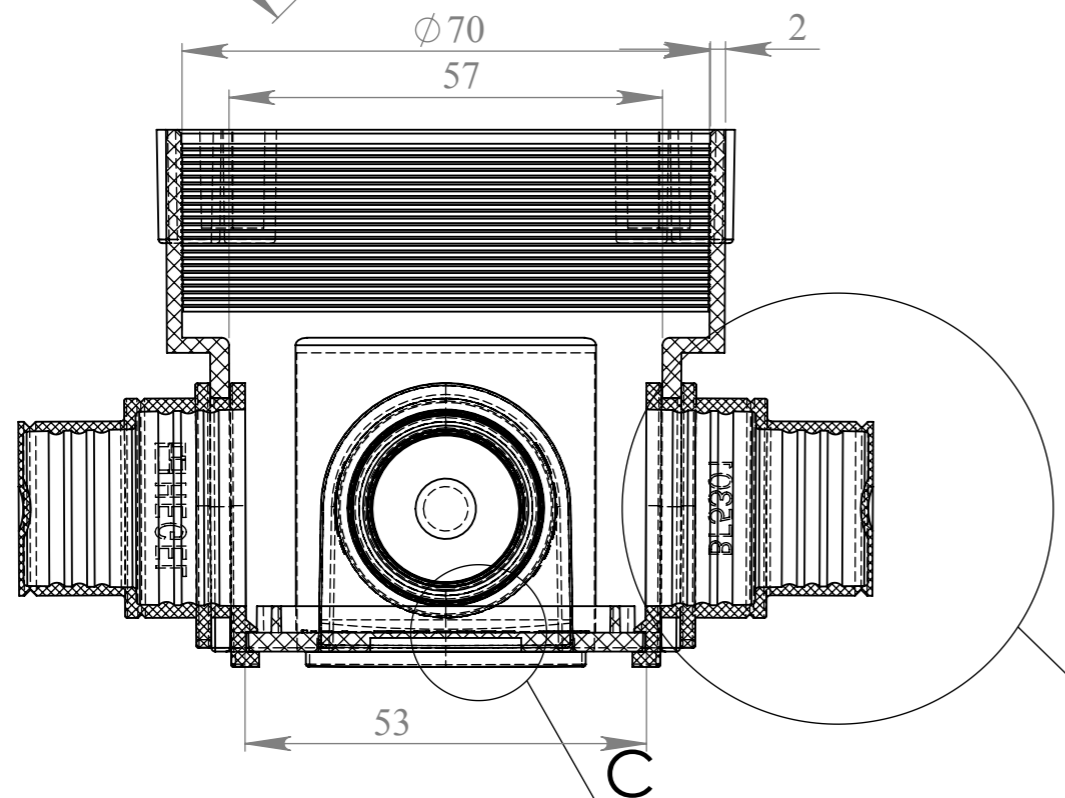
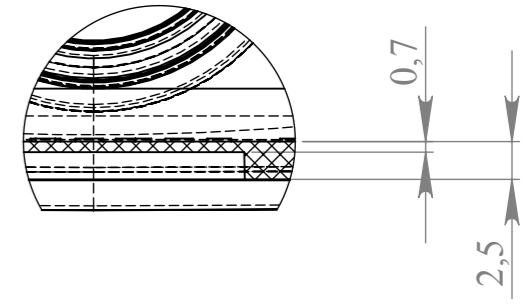


МЕСТНЫЙ В
МАСШТАБ 2 : 1

СЕЧЕНИЕ А-А
МАСШТАБ 1 : 1



МЕСТНЫЙ С
МАСШТАБ 2 : 1



UNLESS OTHERWISE SPECIFIED: DIMENSIONS ARE IN MILLIMETERS SURFACE FINISH: TOLERANCES: LINEAR: ANGULAR:				FINISH:		DEBUR AND BREAK SHARP EDGES		DO NOT SCALE DRAWING		REVISION	
DRAWN				NAME		SIGNATURE		DATE		TITLE:	
CHK'D											
APPV'D											
MFG											
Q.A								MATERIAL:		DWG. NO.	
										KY1301	
								WEIGHT:		SCALE:1:2	
										SHEET 1 OF 1	