

COMPANY
BOLLARDS
UP&DOWN
BULKHEAD
FLOODLIGHT
IN-GROUND
BRICKLIGHT
GARDEN
URBAN CLASSIC
URBAN MODERN
HIGH-BAY
POST
LAMPS
REFERENCES

GIUSEPPE

FLOODLIGHT



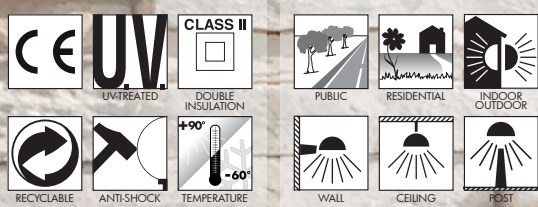
Square floodlight with no visible screws made in shockproof resin material, UV rays stabilized, rust and corrosion-free. Suitable for wall, ceiling and post installation. Supplied with TÜV approved, long-life and efficient **GX53 LED lamps included** or provided with **2x E27 lampholders**. Motion sensor version available. Insulation class II, Protection rating IP66.



*Proiettore quadro senza viti a vista, fabbricato in resina antiurto stabilizzata ai raggi UV, inattaccabile da ruggine e corrosione. Idoneo per istallazioni a parete, a soffitto e a palo. Fornito con **incluse lampadine a LED GX53** approvate TÜV di lunga durata ed elevata efficienza o disponibile nella versione **2x E27**. Disponibile anche con sensore di movimento. Classe di isolamento II, grado di protezione IP66.*



4P2.000.D4L



MADE IN ITALY



GIUSEPPE - COMPONENTS

IP66



COVER with no visible screws, made of shockproof resin material, UV-rays stabilized.

COVER senza viti a vista in resina antiurto stabilizzata ai raggi UV.

DIFFUSER made of UV-rays stabilized polymethyl-methacrylate (PMMA) screwed to the floodlight body.

DIFFUSORE realizzato in polimetilmetacrilato (PMMA) stabilizzato ai raggi UV da avvitare al corpo del proiettore.

BODY made of shockproof resin material, UV-rays stabilized, provided with silicone rubber gasket to ensure high protection against external agents.

CORPO realizzato in resina antiurto, stabilizzata ai raggi UV, completa di guarnizione in gomma siliconica per garantire un alto livello di protezione contro gli agenti esterni.

GIUSEPPE



Dimensions and weight

Height: 150 mm
Width: 300 mm
Weight: 2,8 Kg

Moulded Colours:

Black Grey White

Diffuser PMMA:

Opal

LED LAMPS



More technical details about TÜV approved Fumagalli LED Lamps on page 512.

4x GX53 LED

FULLY PRE-WIRED



4P2.000

Floodlight supplied with white resin reflective ceiling fully pre-wired and complete with TÜV approved long-life and efficient 4x GX53 LED lamps included. Different wattages available. Quick and easy lamp replacement for a very simple maintenance after installation.

	4x 7W 28W	3200 Lm	4000 K	.C4L
			3000 K	.C4R
	4x 10W 40W	4800 Lm	4000 K	.D4L
			3000 K	.D4R

4x 10W = 100W SON-HQI
4800 Lm

SAVE 60%

GX53 LED

FULLY PRE-WIRED



4P1.000

Floodlight supplied fully pre-wired and complete with TÜV approved, long-life and efficient GX53 LED lamp in different wattages.

	7 W	600 Lm	4000 K	.A1L
	11 W	1300 Lm	4000 K	.B1L
	18 W	2000 Lm	3000 K	.B1R
			4000 K	.E1L
	7 W + SENSOR	600 Lm	4000 K	.ASL
			3000 K	.ASR
	11 W + SENSOR	1300 Lm	4000 K	.BSL
			3000 K	.BSR
	18 W + SENSOR	2000 Lm	4000 K	.ESL
			3000 K	.ESR

7W 11W 18W = 100W incandescent
60W 150W

SAVE 90%

2x E27

FULLY PRE-WIRED



4P2.000

Floodlight supplied fully pre-wired with white resin reflective ceiling and complete with 2x E27 lampholders.

Daylight and motion sensor available as option. Sensor operating voltage: 220-240V. (120V version available on demand).

2x E27 (CFL-LED)	max 160 mm	.E28
2x E27 + SENSOR	max 160 mm	.ES8

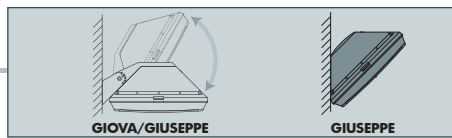
POST VERSION

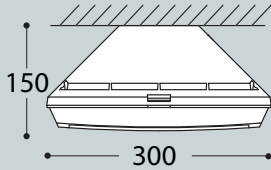
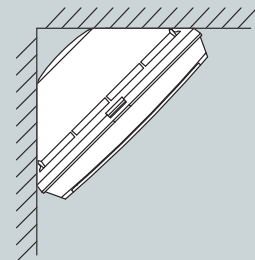


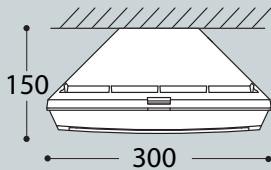
Detailed information on next page.

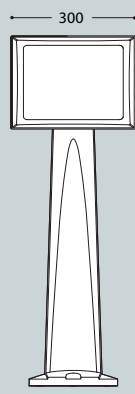
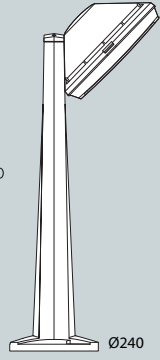
* ADD THESE SUFFIXES TO THE REFERENCES MENTIONED IN THE CATALOGUE

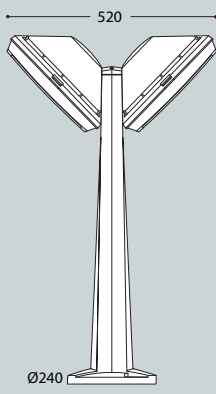
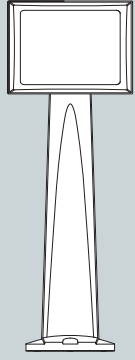




GIUSEPPE GX53		
4P1.000.A1L	7W	4P1.000.A1R
4P1.000.B1L	11W	4P1.000.B1R
4P1.000.E1L	18W	4P1.000.E1R
4P2.000.C4L	28W	4P2.000.C4R
4P2.000.D4L	40W	4P2.000.D4R
4000K	GX53 LED LAMP INCLUDED	3000K
Pcs 10 Kg 29 mc 0,195		

GIUSEPPE 2xE27	
2xE27 lampholder	4P2.000.E28
2xE27 with sensor	4P2.000.ES8
Pcs 10 Kg 19 mc 0,195	

PINA 1L		
4P1.613.010.A1L	7W	4P1.613.010.A1R
4P1.613.010.B1L	11W	4P1.613.010.B1R
4P1.613.010.E1L	18W	4P1.613.010.E1R
4P2.613.010.C4L	28W	4P2.613.010.C4R
4P2.613.010.D4L	40W	4P2.613.010.D4R
4000K	GX53 LED LAMP INCLUDED	3000K
Pcs 1 Kg 4,5 mc 0,097		
2xE27 lampholder	4P2.613.010.E28	2xE27 with sensor
	4P2.613.010.ES8	

PINA 2L		
4P1.613.020.A1L	2x 7W	4P1.613.020.A1R
4P1.613.020.B1L	2x 11W	4P1.613.020.B1R
4P1.613.020.E1L	2x 18W	4P1.613.020.E1R
4P2.613.020.C4L	2x 28W	4P2.613.020.C4R
4P2.613.020.D4L	2x 40W	4P2.613.020.D4R
4000K	GX53 LED LAMPS INCLUDED	3000K
Pcs 1 Kg 7 mc 0,097		
2xE27 lampholder	4P2.613.020.E28	2xE27 with sensor
	4P2.613.020.ES8	