

COMPANY BOLLARD UP&DOWN BULKHEAD FLOODLIGHT IN-GROUND BRICKLIGHT GARDEN URBAN CLASSIC URBAN MODERN HIGH-BAY POST LAMPS REFERENCES

RITA

CLASSIC ROUND



Round bulkhead lamp in classic style, made of shockproof resin material, UV-rays stabilized, rust and corrosion-free. Suitable for wall and ceiling installation. **GX53 LED** or **E27** version available. Insulation class II, Protection rating IP66.



*Plafoniera circolare in stile classico, realizzata in resina antiurto stabilizzata ai raggi UV, inattaccabile da ruggine e corrosione. Idonea per il montaggio a parete e a soffitto. Disponibile nella versione a **LED GX53** o **E27**. Classe di isolamento II, grado di protezione IP66.*



1T3.000

RECYCLABLE	ANTI-SHOCK	TEMPERATURE	WALL	CEILING	



RITA COMPONENTS

IP 66



COVER with classic design made of shockproof resin material, UV-rays stabilized.

COVER in stile classico realizzata in resina antiurto stabilizzata ai raggi UV.

Opal **DIFFUSER** made of UV-rays stabilized polymethylmethacrylate (PMMA), with silicone rubber gasket to ensure high protection against external agents.

DIFFUSORE opale realizzato in polimetilmetacrilato (PMMA) stabilizzato ai raggi UV. Completo di guarnizione in gomma siliconica per garantire un alto livello di protezione contro gli agenti esterni.

BASE made of shockproof resin material, UV-rays stabilized. Provided with GX53 lampholder or with white resin reflective plate and E27 lampholder.

BASE realizzata in resina antiurto, stabilizzata ai raggi UV. Fornita completa di portalamпада GX53 o di piatto riflettente in resina bianca e portalamпада E27.

RITA

— ø 355 —



Dimensions and weight

Diameter: ø 355 mm
Depth: 90 mm
Weight: 1 Kg

Moulded colours:

Black White

Painted colours:

Antique green Antique bronze

Diffuser PMMA:

Opal

GX53 LED

FULLY PRE-WIRED



Bulkhead supplied **fully pre-wired** and complete with TÜV approved, long-life and efficient **GX53 LED lamp included**. Different wattage available.

- **COST SAVING:** long-life and efficient LED light sources
- **BUILT-IN DRIVER:** Quick and easy lamp replacement for a very simple maintenance after installation.

*ADD. SUFFIX

	7 W	600 Lm	4000 K	.A1L
			3000 K	.A1R
	11 W	1300 Lm	4000 K	.B1L
			3000 K	.B1R
	18 W	2000 Lm	4000 K	.E1L
			3000 K	.E1R

E27


FULLY PRE-WIRED



Bulkhead supplied **fully pre-wired** with **E27 lampholder**. White resin reflective plate designed to grant lampholder protection and isolation. Safe fixation of the electrical devices on the plate rear side.

Daylight and motion sensor available as an option. Sensor operating voltage: 220-240V (120V available on demand).

*ADD. SUFFIX

E27 (CFL -LED)	max 160 mm ↔	.E27
E27 + SENSOR (CFL -LED)		.ES7

LED LAMPS



More technical details about TÜV approved Fumagalli LED Lamps on page 512.

* ADD THESE SUFFIXES TO THE REFERENCES MENTIONED IN THE CATALOGUE



7W
11W
18W

=

60W
100W
150W

incandescent

SAVE 90% 

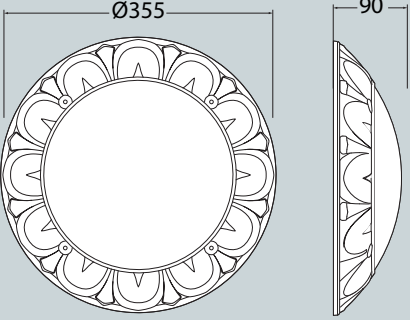
RITA

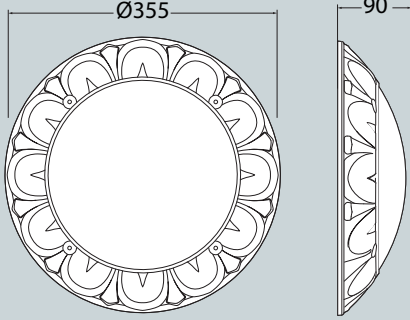
CLASSIC ROUND



1T3.000



RITA GX53		
1T3.000.A1L	7W	1T3.000.A1R
1T3.000.B1L	11W	1T3.000.B1R
1T3.000.E1L	18W	1T3.000.E1R
4000K	GX53 LED LAMP INCLUDED	3000K
		
Pcs 12		
Kg 17,8		
mc 0,198		

RITA E27	
E27 lampholder	1T3.000.E27
E27 with sensor	1T3.000.ES7
	
Pcs 12	
Kg 15,4	
mc 0,198	